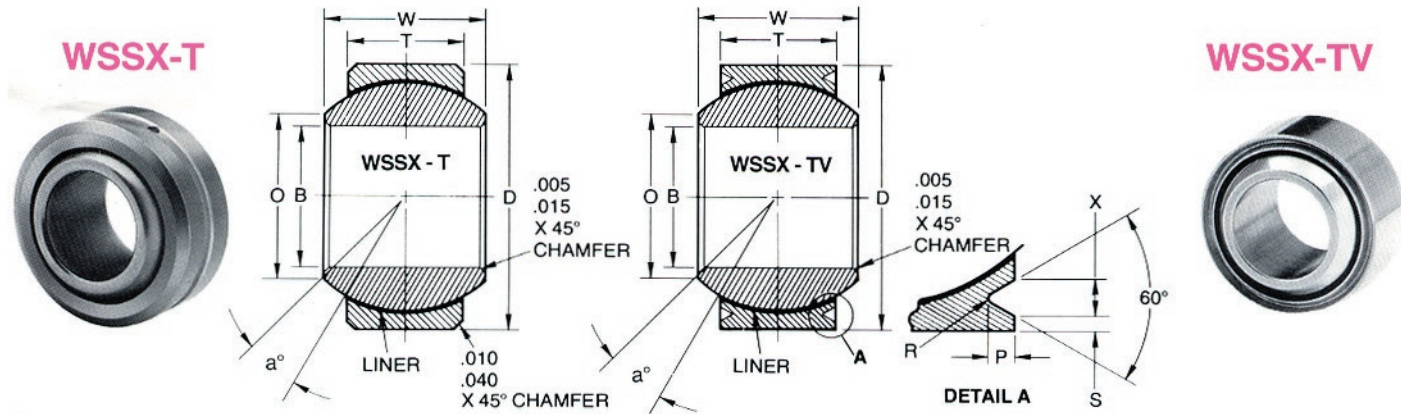


**WSSX-T/WSSX-TV
WIDE SERIES**



PART NUMBER	BORE SIZE	B DIA.	D DIA.	W WIDTH	T WIDTH	O SHOULDER DIAMETER	BALL DIA.	a°	LOAD RATINGS (LBS.)			APPROX. WEIGHT LBS.	
									STATIC LIMIT		DYNAMIC OSCILLATING RADIAL LOAD		
									RADIAL LBS	AXIAL LBS.			
WSSX3T	WSSX3TV	3/16	0.1900	0.6250	0.437	0.327	0.301	0.531	15	9,000	1,770	3,770	0.031
WSSX4T	WSSX4TV	1/4	0.2500	0.6250	0.437	0.327	0.301	0.531	15	9,000	1,770	3,770	0.031
WSSX5T	WSSX5TV	5/16	0.3125	0.6875	0.437	0.317	0.401	0.593	14	9,400	1,640	4,650	0.035
WSSX6T	WSSX6TV	3/8	0.3750	0.8125	0.500	0.406	0.466	0.687	8	13,700	2,630	6,390	0.060
WSSX7T	WSSX7TV	7/16	0.4375	0.9375	0.562	0.442	0.537	0.781	10	20,700	3,650	9,390	0.800
WSSX8T	WSSX8TV	1/2	0.5000	1.0000	0.625	0.505	0.607	0.875	9	27,500	4,970	12,150	0.100
WSSX9T	WSSX9TV	9/16	0.5625	1.1250	0.687	0.536	0.721	1.000	10	34,400	5,370	14,900	0.135
WSSX10T	WSSX10TV	5/8	0.6250	1.1875	0.750	0.567	0.747	1.062	12	39,000	6,130	16,700	0.160
WSSX12T	WSSX12TV	3/4	0.7500	1.3750	0.875	0.630	0.887	1.250	13	52,300	7,730	22,100	0.240
WSSX14T	WSSX14TV	7/8	0.8750	1.6250	0.875	0.755	1.061	1.375	6	67,300	10,800	28,200	0.350
WSSX16T	WSSX16TV	1	1.0000	2.1250	1.375	1.005	1.269	1.875	12	137,000	19,300	53,700	0.970