

# INDEX

CURVILINE: THE RAIL THAT GOES STRAIGHT TO THE SOLUTION .....	F4
EXAMPLES AND APPLICATION FIELDS .....	F5
VARIABLE RADIUS RAIL / SLIDER (technical data, load capacities) .....	F6
CONSTANT RADIUS RAIL / SLIDER (technical data, load capacities) .....	F7



## CURVILINE: ...the rail that goes straight to the solution!

ROLLON's CURVILINE rails represent a real "linear solution".

An economical and versatile solution for applications with non linear trajectories. The CURVILINE product is created specifically for your application in order to satisfy your specific needs. Our new flexible productive processes allow us to manufacture small quantities (100 pcs) at acceptable costs.

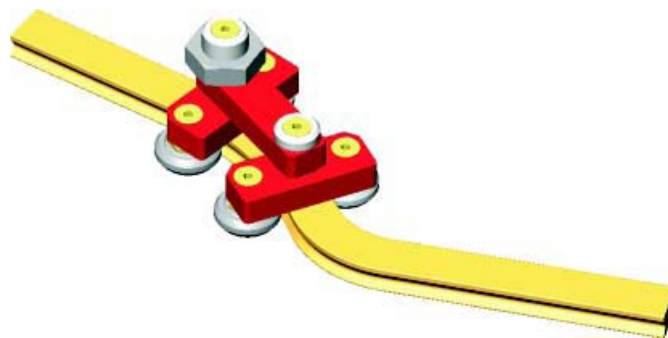
The system is composed of one or more sliders and a zinc-plated rail.

The sliders have either three or four high precision steel radial ball bearings designed specifically for this purpose. The rollers are lubricated for life. Strength and lifetime are guaranteed by these factors. There are two versions. The first has a constant radius and the second has variable radius. The second version can also contain straight areas.

Each version has its own slider which has been studied and designed for its specific purpose and is able to travel along the rail keeping its standard preload constant throughout the movement.

CURVILINE's applications are varied and allow us to offer "linear solutions" where none were available in the past: movements inside packaging machinery; automatic and manual door openings for machine tools, elevators, trains, busses, etc. movimenti all'interno di macchine d'imballaggio e confezionamento; apertura di porte automatiche e/o manuali di ascensori, treni, autobus, navi, sportelli di protezione ecc.

### VARIABLE RADIUS VERSION



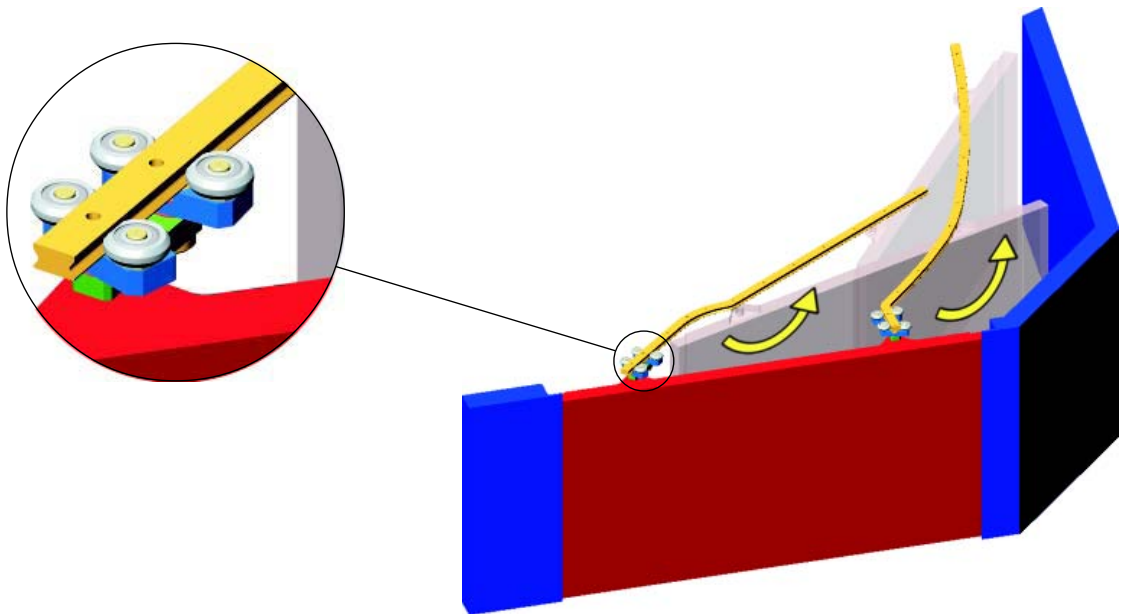
### CONSTANT RADIUS VERSION



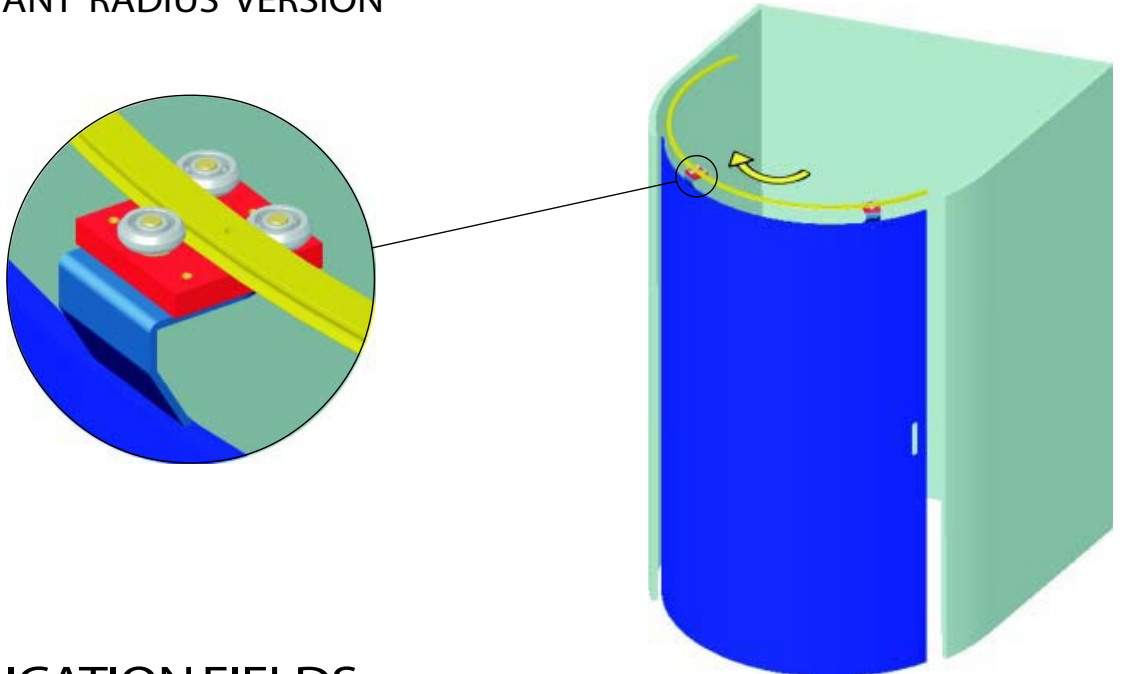


## APPLICATION EXAMPLES:

### VARIABLE RADIUS VERSION



### CONSTANT RADIUS VERSION



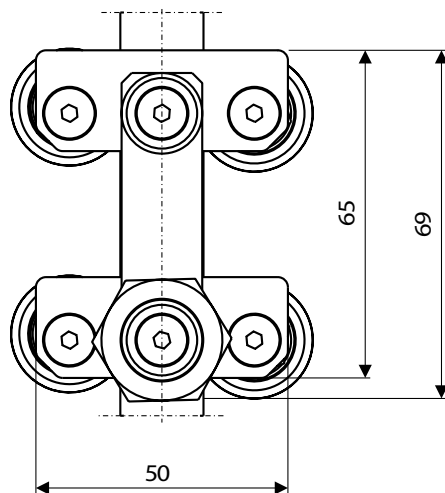
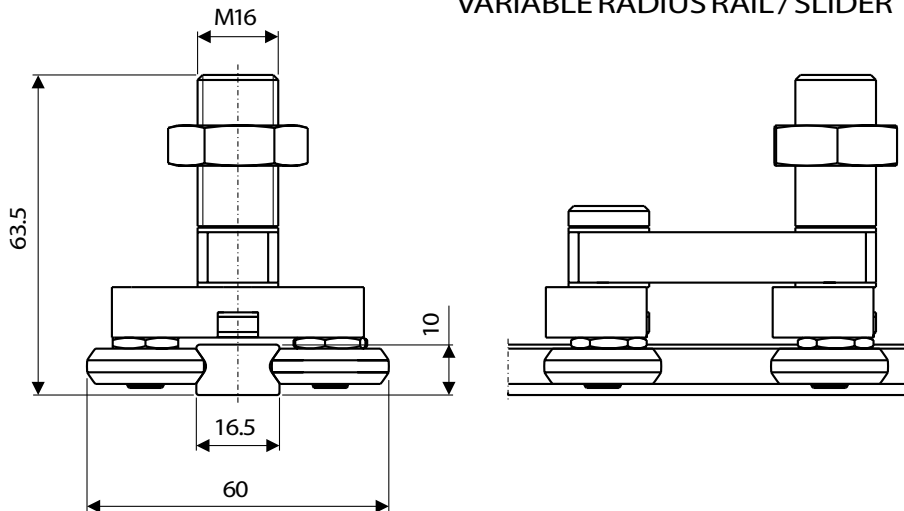
## APPLICATION FIELDS:

- Packaging machinery
- Train manufacturing and rebuilding (internal and external doors)
- Naval construction (internal doors)
- food industry

# MOUNTED RAIL / SLIDER (Variable Radius Version)

## TECHNICAL DATA:

VARIABLE RADIUS RAIL / SLIDER

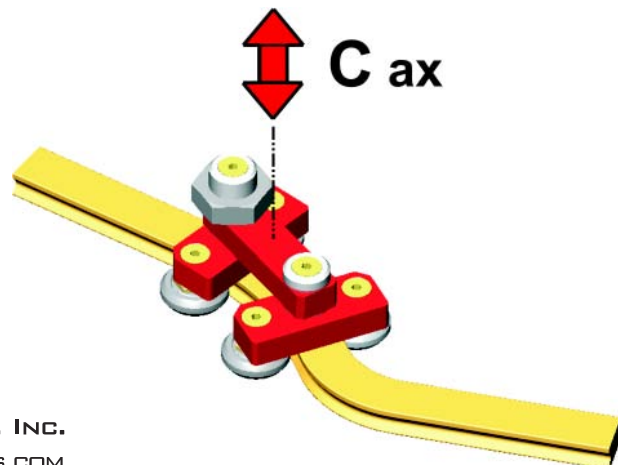


**NOTE**

- Radius and types of curves on request
- Rail and Slider with yellow zinc plating (ISO2081)

## LOAD CAPACITIES:

$$C_{ax} = 400 \text{ N}$$

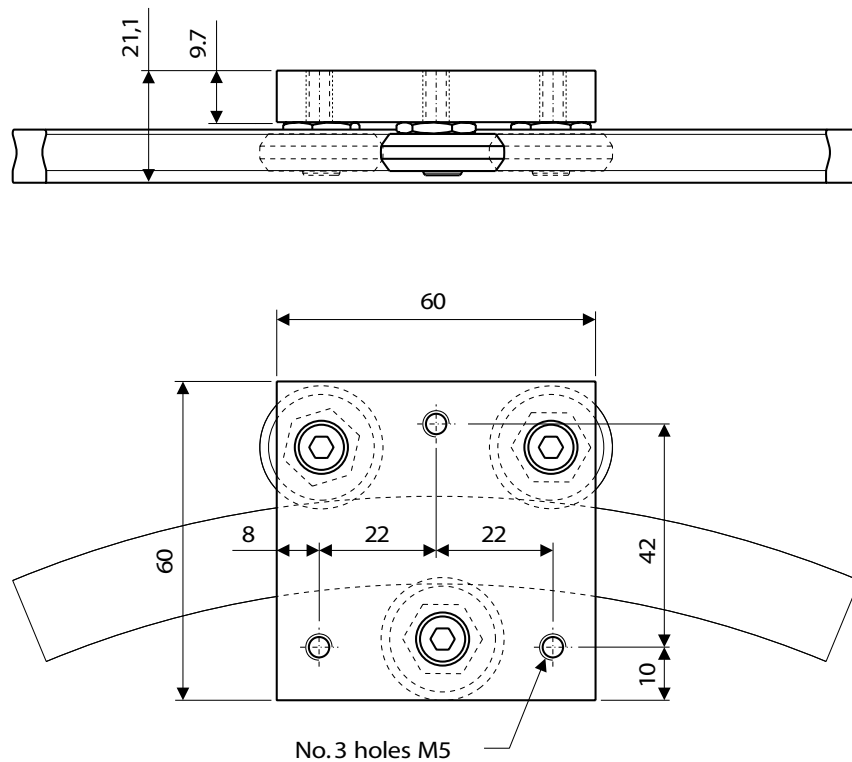


PACIFIC INTERNATIONAL BEARING SALES, INC.  
800.228.8895 • WWW.PACIFICBEARINGSALES.COM

For more information and assistance, please contact our engineering department.

# MOUNTED RAIL / SLIDER (Constant Radius Version)

## TECHNICAL DATA:

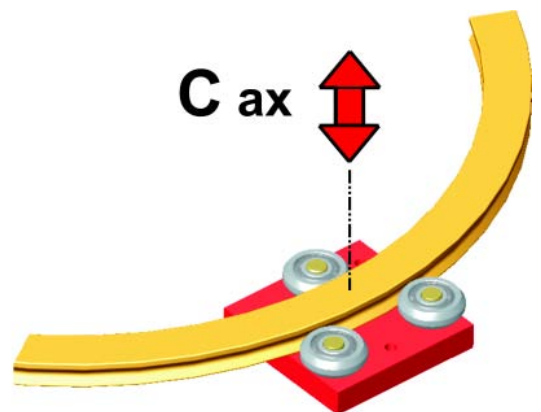


### NOTE

- Radius on request (R min.= 180 mm)
- Rail and Slider with yellow zinc plating (ISO2081)

## LOAD CAPACITIES:

$$C_{ax} = 300 \text{ N}$$



 **PACIFIC INTERNATIONAL BEARING SALES, INC.**  
800.228.8895 • [WWW.PACIFICBEARINGSALES.COM](http://WWW.PACIFICBEARINGSALES.COM)

For more information and assistance, please contact our engineering department.