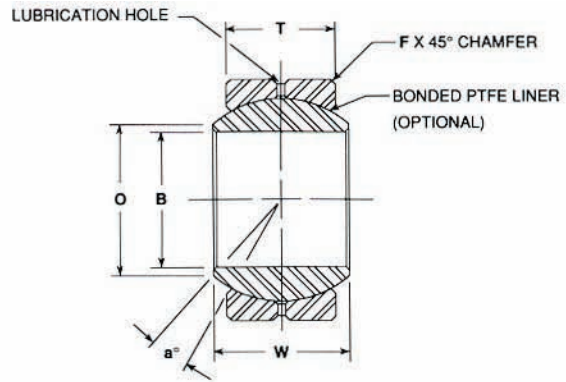
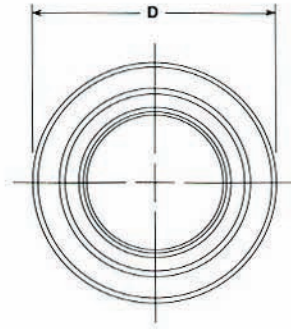


**COMP
PRECISION COMMERCIAL SERIES**



PIBS P/N	BORE SIZE	B DIA.	D DIA.	W WIDTH	T WIDTH	O DIA.	BALL DIA.	F CHAMFER	a° MIS. ANG.	ULT. STATIC RADIAL LOAD	APPROX. WEIGHT
	REF.	+0.0000 -0.0005	+0.0000 -0.0005	+0.000 -0.005	+/-0.005	REF.	REF.	REF.	REF.	LBS.	LBS.
COMP 4	1/4	0.2500	0.6562	0.343	0.250	0.364	0.500	0.022	13.5	5,600	0.022
COMP 6	3/8	0.3750	0.8125	0.406	0.312	0.516	0.656	0.032	10	10,500	0.038
COMP 8	1/2	0.5000	1.0000	0.500	0.390	0.600	0.781	0.032	9.5	14,900	0.065
COMP 10	5/8	0.6250	1.1875	0.625	0.500	0.739	0.968	0.032	8.5	26,600	0.110
COMP 12	3/4	0.7500	1.4375	0.750	0.593	0.920	1.187	0.044	9	39,900	0.204
COMP 14	7/8	0.8750	1.5625	0.875	0.703	0.978	1.312	0.044	9.5	57,000	0.263
COMP 16	1	1.0000	1.7500	1.000	0.797	1.118	1.500	0.044	10	69,000	0.386



**Pacific International
Bearing, Inc.**
800.228.8895 • www.pibsales.com