



■ TSK Heavy-Load, Standard Rail, HS-R Series (Normal Block Type)

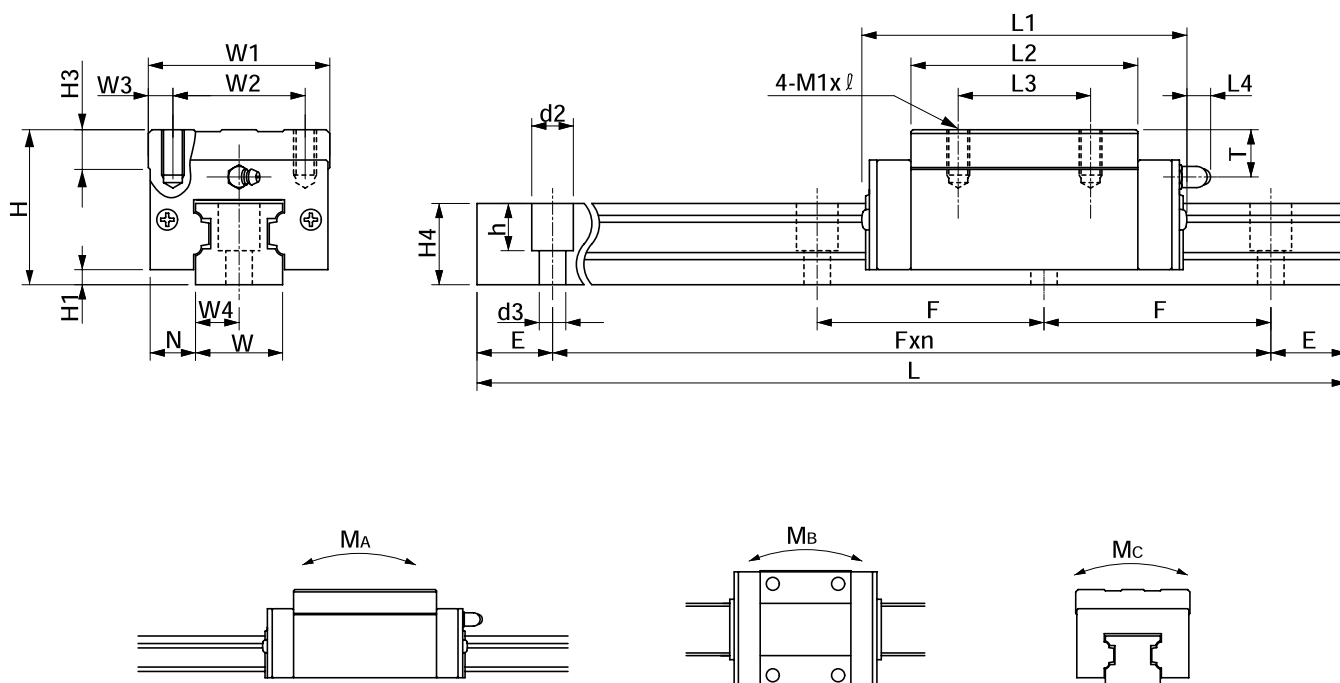


型式 Model No.	組込寸法 Mounting dimension			スライドユニット寸法 Slide unit dimension									
	H	H1	N	W1	W2	W3	L1	L2	L3	L4	H3	M1 x ℓ	T
HS20R	30	5	21.5	44	32	6	73	50	36	0	8	M 5x6	5.2
HS25R	40	6.5	12.5	48	35	6.5	84	59	35	12	8	M 6x8	10
HS30R	45	7	16	60	40	10	97	68	40	12	8	M 8x10	8.5
HS35R	55	8	18	70	50	10	113	80	50	16	10	M 8x12	14.5
HS45R	70	11	20.5	86	60	13	140	102	60	16	15	M10x17	18.5
HS55R	80	14	23.5	100	75	12.5	160	124	75	16	18	M12x18	20
HS65R	90	14	31.5	126	90	18	189	148	70	16	23	M16x20	18

Standard Type



PACIFIC INTERNATIONAL BEARING SALES, INC.
800.228.8895 • WWW.PACIFICBEARINGSALES.COM



単位 mm

軌道台寸法 Rail track dimension								基本定格荷重 Basic rated load [N]		静定格トルク Rated static torque [N · m]			質量 Weight	
W	W4	H4	d2	d3	h	E	F	C	Co	M _A	M _B	M _C	スライド ユニット Slide Unit [kg]	軌道台 Track Unit [kg/m]
20	10	21	9.5	6	11	20	60	14780	22580	186	186	311	0.29	2.8
23	11.5	24	11	7	11	20	60	19400	27520	234	234	441	0.52	3.6
28	14	28	14	9	14	20	80	26930	37440	372	372	720	0.85	5.1
34	17	32	14	9	15	20	80	35850	48910	556	556	1130	1.5	7.3
45	22.5	42	20	14	21	22.5	105	57760	76440	1080	1080	2300	2.8	12.6
53	26.5	48	23	16	24	30	120	90340	120000	2210	2210	4250	4.4	17.1
63	31.5	58	26	18	25	35	150	137000	171900	3660	3660	7380	7.9	24.6