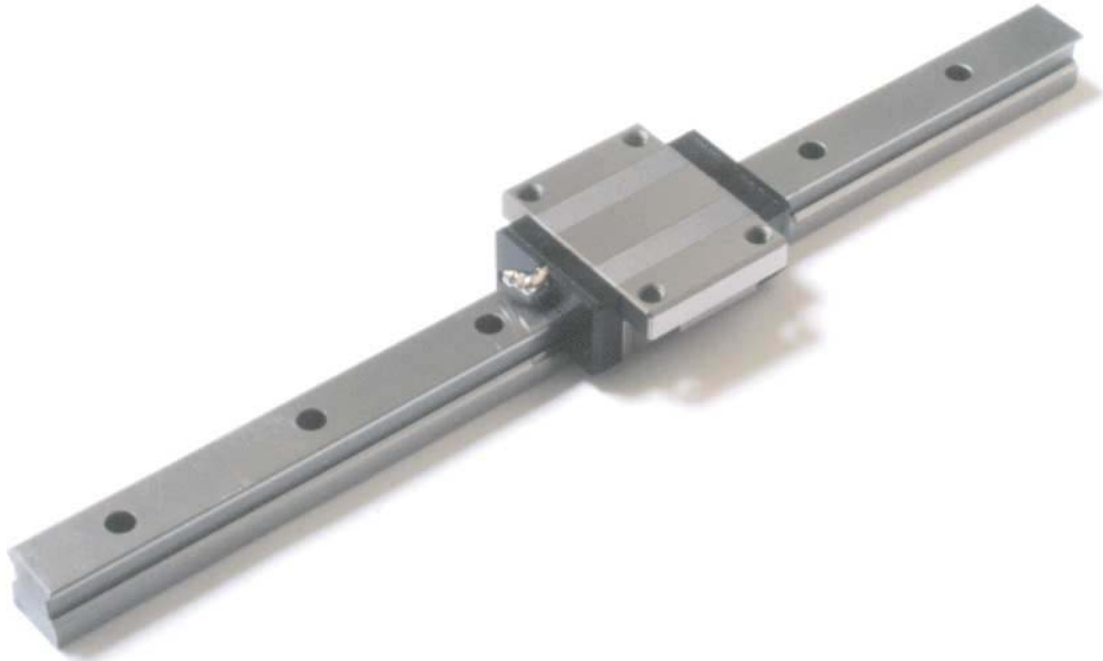


Standard Type



PACIFIC INTERNATIONAL BEARING SALES, INC.
800.228.8895 • WWW.PACIFICBEARINGSALES.COM

■ TSK Heavy-Load, Standard Rail, HS-A Series (Normal Block, Drilled Hole Type)

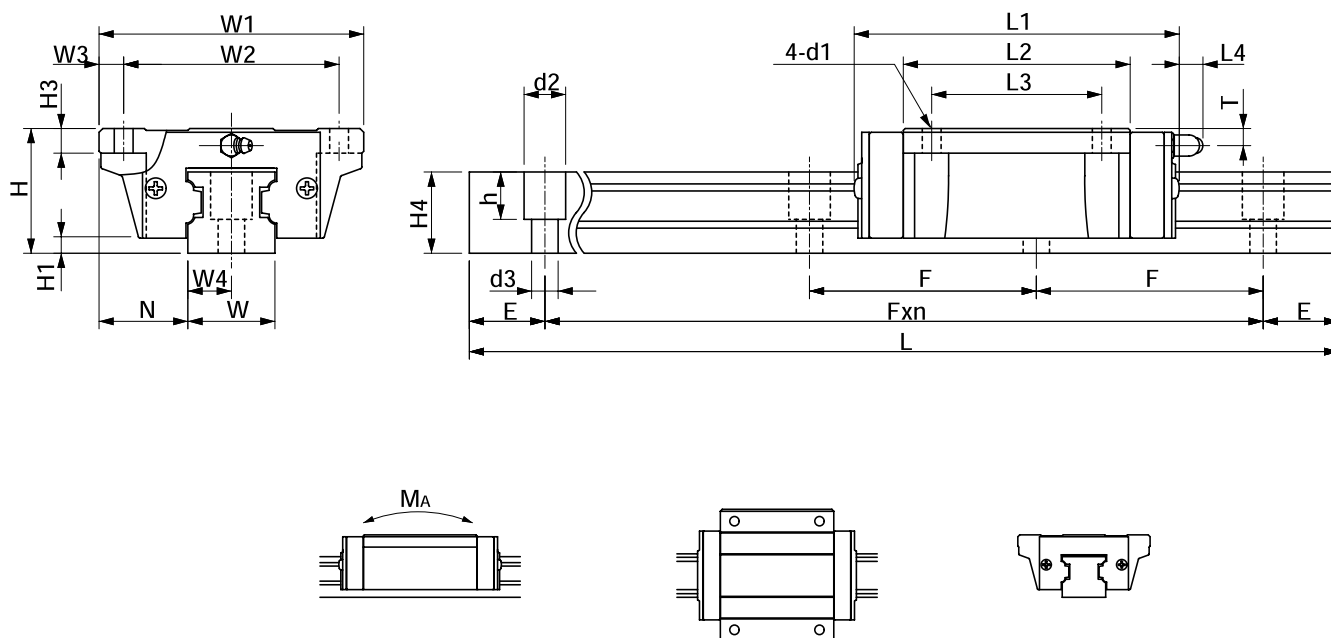


型式 Model No.	組込寸法 Mounting dimension			スライドユニット寸法 Slide unit dimension									
	H	H1	N	W1	W2	W3	L1	L2	L3	L4	H3	d1	T
HS15A	24	4.6	16	47	38	4.5	59	38.5	30	0	7	4.5	3.5
HS25A	36	6.5	23.5	70	57	6.5	84	59	45	12	10	7	6
HS30A	42	7	31	90	72	9	97	68	52	12	13	9	5.5
HS35A	48	8	33	100	82	9	113	80	62	12	13	9	7.5
HS45A	60	11	37.5	120	100	10	140	102	80	16	15	11	8.5
HS55A	70	14	43.5	140	116	12	160	124	95	16	17	14	10
HS65A	85	14	53.5	170	142	14	189	148	110	16	20	16	13

Standard Type



PACIFIC INTERNATIONAL BEARING SALES, INC.
800.228.8895 • WWW.PACIFICBEARINGSALES.COM



単位 mm

軌道台寸法 Rail track dimension								基本定格荷重 Basic rated load [N]		静定格トルク Rated static torque [N · m]			質量 Weight	
W	W4	H4	d2	d3	h	E	F	C	Co	M _A	M _B	M _C	スライド ユニット Slide Unit [kg]	軌道台 Track [kg/m]
15	7.5	17	7.5	4.5	7	20	60	8160	12220	69	69	129	0.19	1.7
23	11.5	24	11	7	11	20	60	19400	27520	234	234	441	0.64	3.6
28	14	28	14	9	14	20	80	26930	37440	372	372	441	1.1	5.1
34	17	32	14	9	15	20	80	35850	48910	556	556	720	1.6	7.3
45	22.5	42	20	14	21	22.5	105	57760	76440	1080	1080	1130	2.7	12.6
53	26.5	48	23	16	24	30	120	90340	120000	2210	2210	2300	5.0	17.1
63	31.5	58	26	18	25	35	150	137000	171900	3660	3660	7380	10.0	24.6