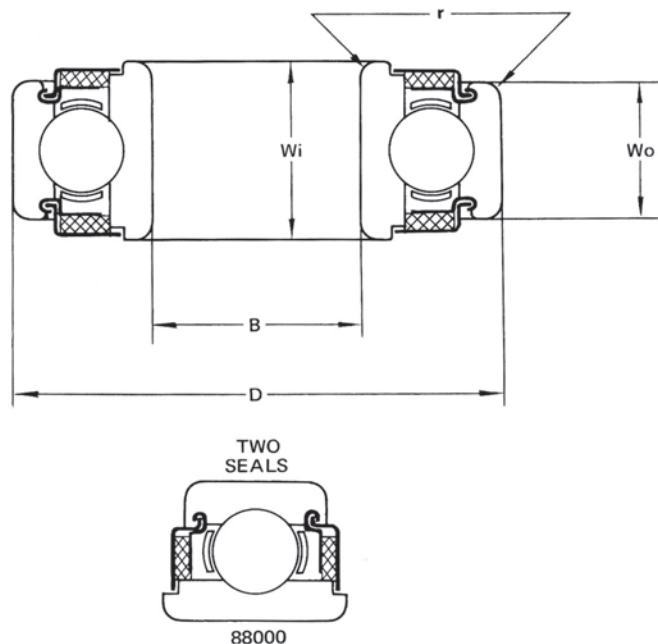


88000 SERIES RADIAL BALL BEARINGS



Wo – Width of the outer ring
 Wi – Width of the inner ring

SINGLE ROW RADIAL BALL BEARINGS 88000 SERIES						LOAD RATINGS (Lbs.)			
BEARING NUMBERS	BORE d		OUTER DIAMETER D		WIDTH B		DYN Cr	STATIC Co	BRG. WGT. LBS.
	mm	in.	mm	in.	Wo	Wi			
88009	9	0.3543	30	1.1811	.354	.6457	882	505	0.099
88500	10	0.3937	30	1.1811	.354	.6457	882	505	0.095
88011	11	0.4331	32	1.2598	.394	.6063	1186	684	0.104
88501	12	0.4724	32	1.2598	.394	.6063	1186	684	0.099
88013	13	0.5118	32	1.2598	.394	.6063	1186	684	0.095
88014	14	0.5512	35	1.3780	.433	.5669	1323	781	0.110
88502	15	0.5906	35	1.3780	.433	.5669	1323	781	0.106
88016	16	0.6299	35	1.3780	.433	.5669	1323	781	0.097
88503	17	0.6693	40	1.5748	.472	.6536	1656	1003	0.165
88504	20	0.7874	47	1.8504	.551	.6988	2216	1389	0.260
88505	25	0.9843	52	2.0472	.591	.6594	2426	1563	0.304
88026	26	1.0236	52	2.0472	.591	.6594	2426	1563	0.293
88506	30	1.1811	62	2.4409	.630	.9449	3363	2256	0.534
88507	35	1.3780	72	2.8346	.669	.9843	4430	3072	0.759
88508	40	1.5748	80	3.1496	.827	1.0630	5036	3521	1.019



**Pacific International
 Bearing, Inc.**
 800.228.8895 • www.pibsales.com