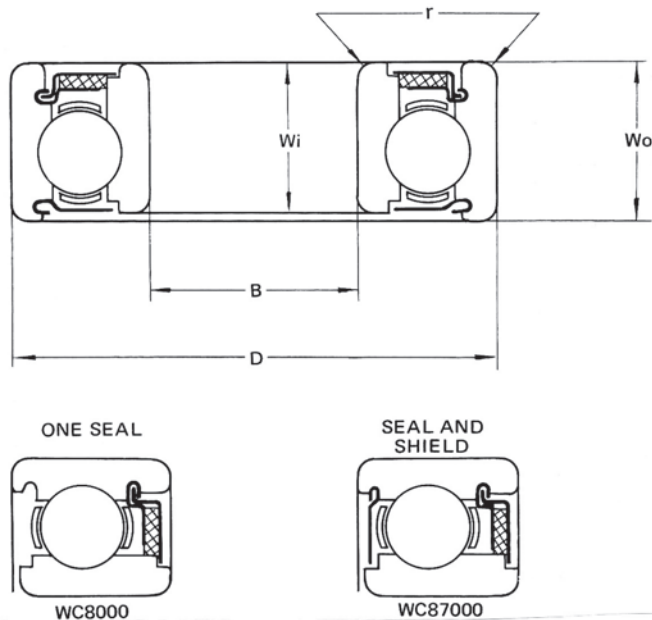


WC8000 and WC87000 SERIES RADIAL BALL BEARINGS



Wo – Width of the outer ring
 Wi – Width of the inner ring

SINGLE ROW RADIAL BALL BEARINGS WC8000 AND WC87000 SERIES							LOAD RATINGS (Lbs.)		
BEARING NUMBERS	BORE d		OUTER DIAMETER D		WIDTH B		DYN Cr	STATIC Co	BRG. WGT. LBS.
	mm	in.	mm	in.	Wo	Wi			
WC8009 WC87009	9	0.3543	30	1.1811	.500	.480	882	505	0.104
WC8500 WC87500	10	0.3937	30	1.1811	.500	.480	882	505	0.099
WC8011 WC87011	11	0.4331	32	1.2598	.500	.480	1186	684	0.106
WC8501 WC87501	12	0.4724	32	1.2598	.500	.480	1186	684	0.101
WC8013 WC87013	13	0.5118	32	1.2598	.500	.480	1186	684	0.097
WC8014 WC87014	14	0.5512	35	1.3780	.500	.480	1323	781	0.110
WC8502 WC87502	15	0.5906	35	1.3780	.500	.480	1323	781	0.104
WC8016 WC87016	16	0.6299	35	1.3780	.500	.480	1323	781	0.097
WC8503 WC87503	17	0.6693	40	1.5748	.563	.538	1656	1003	0.165
WC8504 WC87504	20	0.7874	47	1.8504	.625	.600	2216	1389	0.258
WC8505 WC87505	25	0.9843	52	2.0472	.625	.600	2426	1563	0.300
WC8026 WC87026	26	1.0236	52	2.0472	.625	.600	2426	1563	0.289
WC8506 WC87506	30	1.1811	62	2.4409	.787	.748	3363	2256	0.542
WC8507 WC87507	35	1.3780	72	2.8346	.827	.787	4430	3072	0.778
WC8508 WC87508	40	1.5748	80	3.1496	.945	.945	5036	3521	1.043



**Pacific International
 Bearing, Inc.**
 800.228.8895 • www.pibsales.com