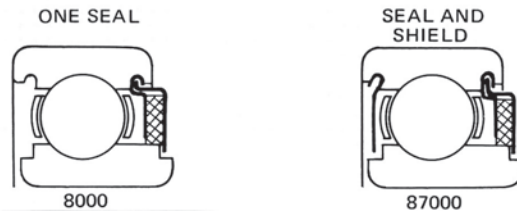
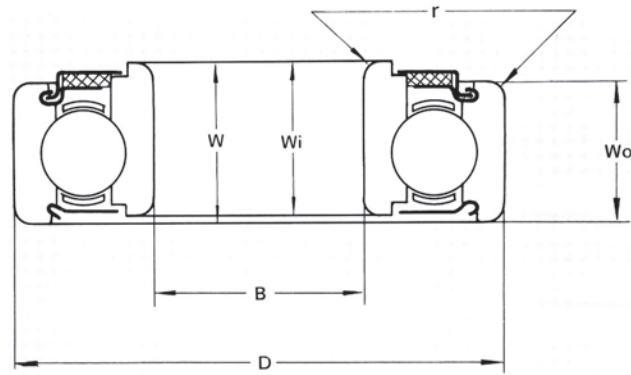


8000 and 87000 SERIES RADIAL BALL BEARINGS



Wo – Width of the outer ring
 Wi – Width of the inner ring
 W – Overall width

SINGLE ROW RADIAL BALL BEARINGS 8000 AND 87000 SERIES								LOAD RATINGS (Lbs.)		
BEARING NUMBERS	BORE d		OUTER DIAMETER D		WIDTH			DYN Cr	STATIC Co	BRG. WGT. LBS.
	mm	in.	mm	in.	Wo	Wi	W			
8009 87009	9	0.3543	30	1.1811	.354	.480	.500	882	505	0.086
8500 87500	10	0.3937	30	1.1811	.354	.480	.500	882	505	0.082
8011 87011	11	0.4331	32	1.2598	.394	.480	.500	1186	684	0.093
8501 87501	12	0.4724	32	1.2598	.394	.480	.500	1186	684	0.088
8013 87013	13	0.5118	32	1.2598	.394	.480	.500	1186	684	0.084
8014 87014	14	0.5512	35	1.3780	.433	.480	.500	1323	781	0.101
8502 87502	15	0.5906	35	1.3780	.433	.480	.500	1323	781	0.095
8016 87016	16	0.6299	35	1.3780	.433	.480	.500	1323	781	0.088
8503 87503	17	0.6693	40	1.5748	.472	.538	.563	1656	1003	0.150
8504 87504	20	0.7874	47	1.8504	.551	.600	.625	2216	1389	0.243
8505 87505	25	0.9843	52	2.0472	.591	.600	.625	2426	1563	0.291
8026 87026	26	1.0236	52	2.0472	.591	.600	.625	2426	1563	0.280
8506 87506	30	1.1811	62	2.4409	.630	.748	.787	3363	2256	0.485
8507 87507	35	1.3780	72	2.8346	.669	.787	.827	4430	3072	0.692
8508 87508	40	1.5748	80	3.1496	.827	.945	.945	5036	3521	0.966